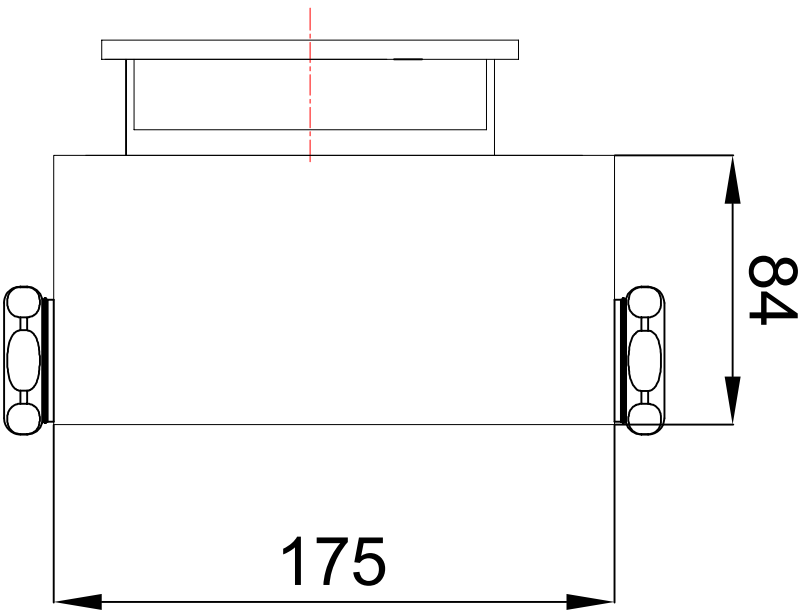
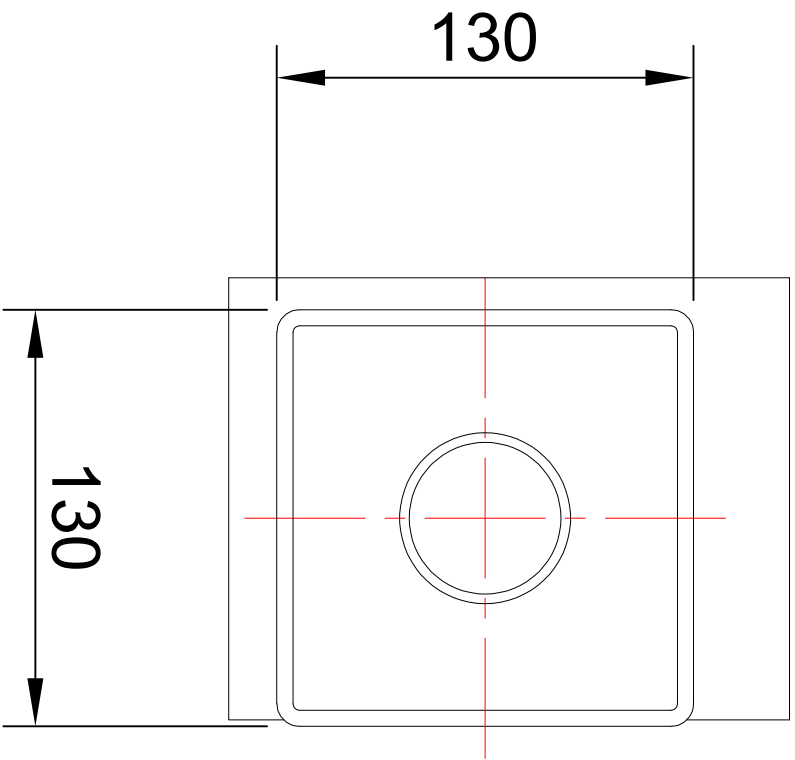


COPY TO	QTY



UNIT
mm

SCALE
1:1

DESIGNED
C. TIRAWAT
25/03/2026

DRAWN
C. TIRAWAT
25/03/2026

CHECKED

APPROVAL

MATERIAL		-		QTY		-		DATE		REVISION		CHECKED R.N.O.	
TOLERANCE ± 0.2		MODEL		SET		DATE		PART CODE		AT-823WMS			
UP TO													
OVER													

THAIFAST ELECTRIC CORPORATION LIMITED
 162 MOO 17 SOI KRITTA 2 TAMBON BANG PHU YAI
 AMPHUR BANGPHU SAMUT PRAKAN 10540
 TEL: 02-041-7413 , 02-041-7423 , 02-041-7433

Part Name: Wall - Mounted Automatic Toilet Flush Valve