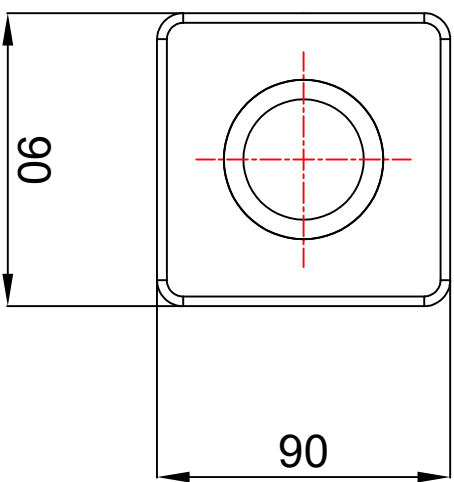
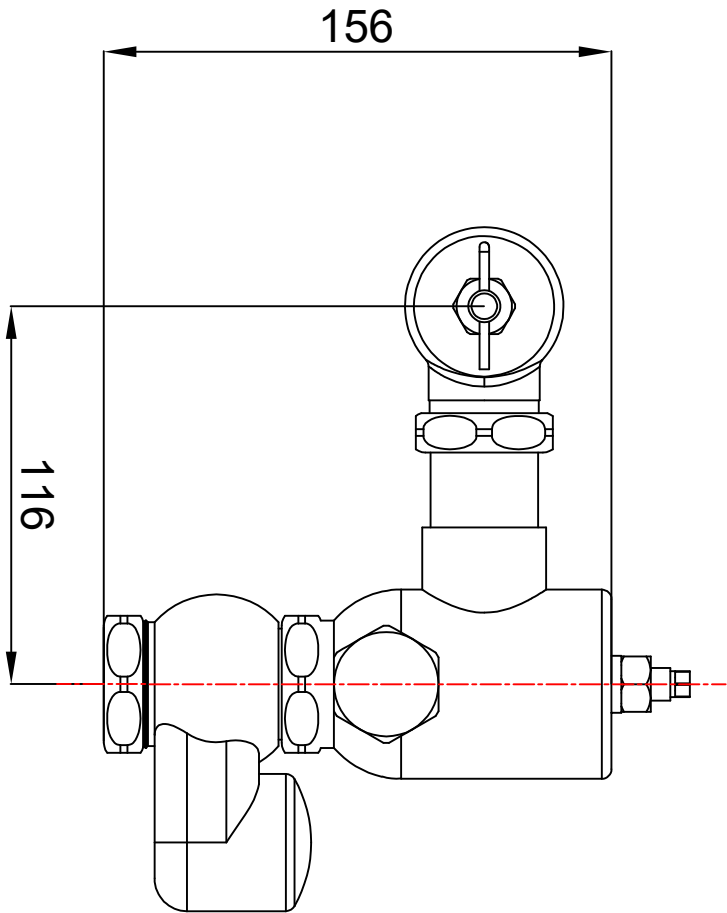


COPY TO	QTY



UNIT  
mm

SCALE  
1:1

DESIGNED  
C. TIRAWAT  
26/03/2026

DRAWN  
C. TIRAWAT  
26/03/2026

CHECKED  
APPROVAL

MATERIAL		-		QTY		-		DATE		REVISION		CHECKED		R.N.O.	
TOLERANCE $\pm 0.2$		MODEL		SET		DATE		PART CODE		PART NAME		CHECKED		R.N.O.	
UP TO		-		-		-		AT-312MM		W/Mounted Manual Toilet Flush Valve					
OVER															

THAIFAST ELECTRIC CORPORATION LIMITED  
162 MOO 17 SOI KRITTA 2 TAMBON BANG PHU YAI  
AMPHUR BANGPHU SAMUT PRAKAN 10540  
TEL: 02-041-7413 , 02-041-7423 , 02-041-7433

W/Mounted Manual Toilet Flush Valve