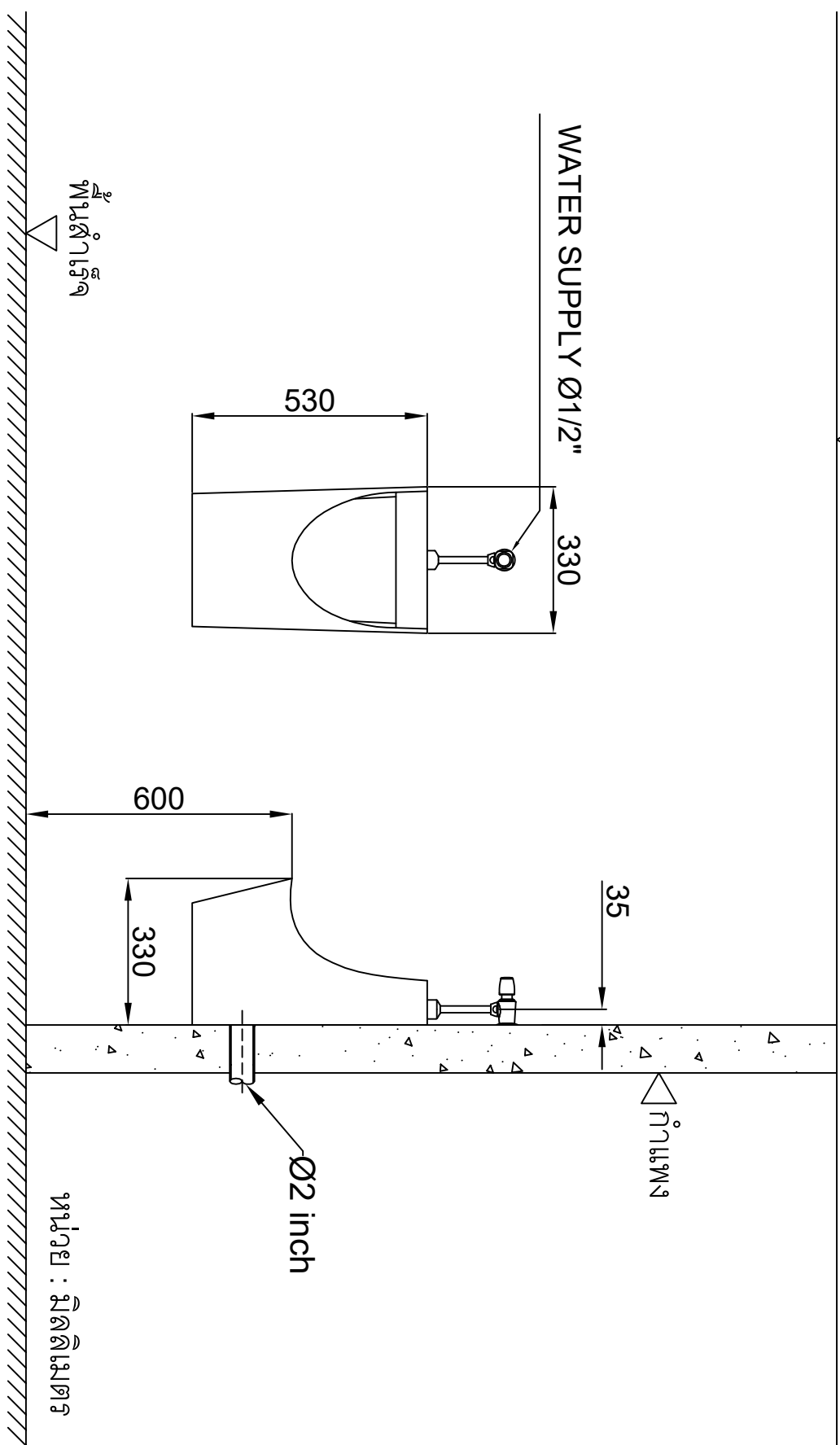


ផ្ទាំង / ធុរកាម



SCALE  
1:1

UNIT  
mm

DESIGNED  
C. TIRAWAT  
07/04/2026

DRAWN  
C. TIRAWAT  
07/04/2026

CHECKED

APPROVAL

MATERIAL	-	QTY	SET	DATE	REVISION	CHECKED	R.N.O.
TOLERANCE	±0.2	MODEL	DATE	REVISION	CHECKED	R.N.O.	
UP TO		MODEL	DATE	REVISION	CHECKED	R.N.O.	
OVER		MODEL	DATE	REVISION	CHECKED	R.N.O.	

THAIFAST ELECTRIC CORPORATION LIMITED  
 162 MOO 17 SOI KRITTA 2 TAMBON BANG PHU YAI  
 AMPHUR BANGPHU SAMUT PRAKAN 10540  
 TEL: 02-041-7413 , 02-041-7423 , 02-041-7433

PART NAME  
Manually Operated Men's Urinal

AT-512

អង្គប្រតិបត្តិ : អិលិកត្រិក

Ø2 inch

កាំបង្ហាញ

កាំបង្ហាញ