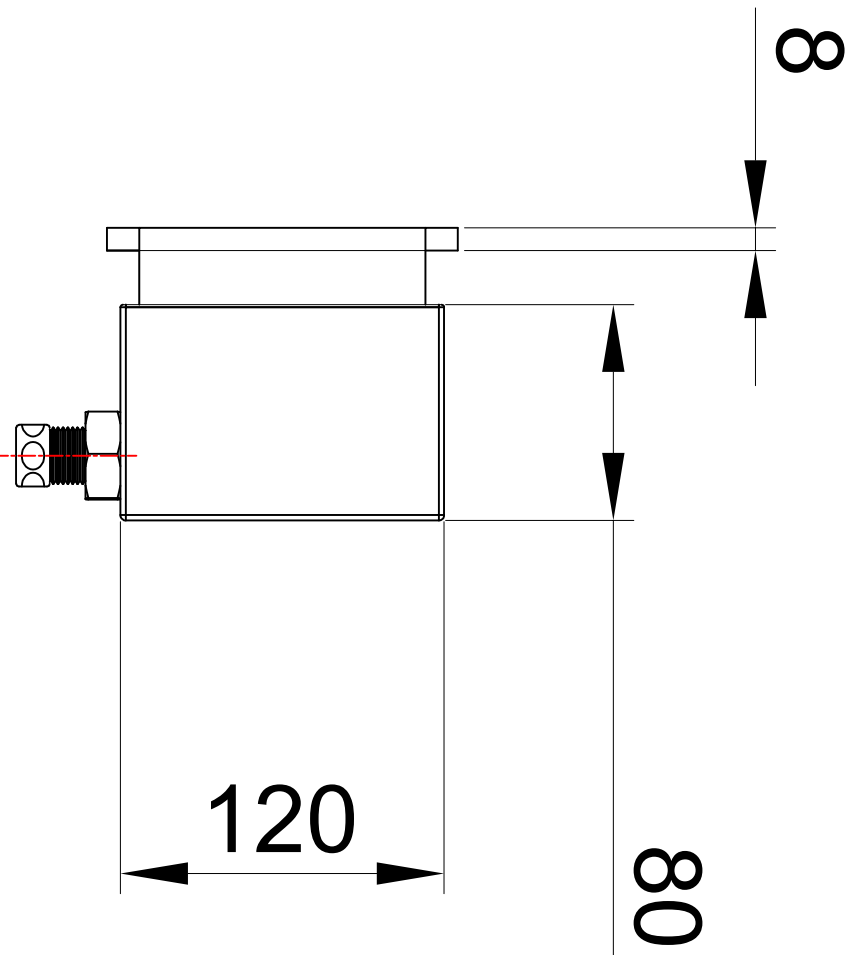
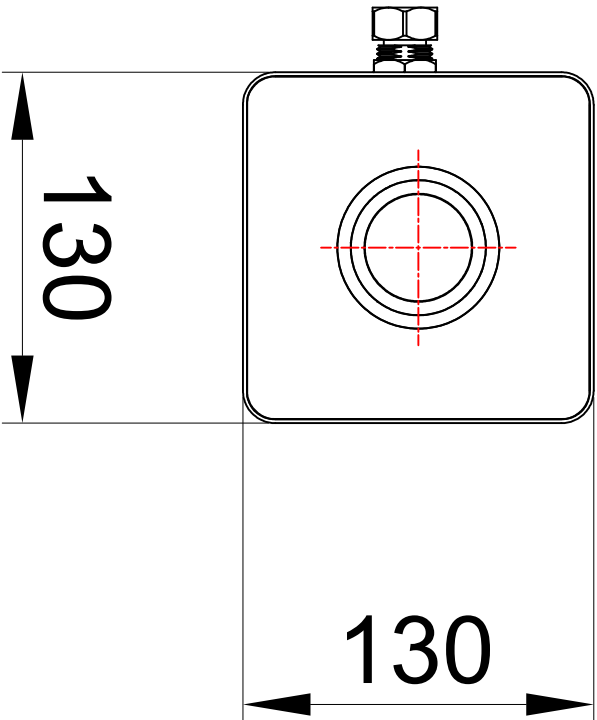


|         |     |
|---------|-----|
| COPY TO | QTY |
|         |     |
|         |     |
|         |     |
|         |     |



UNIT  
mm

SCALE  
1:1

DESIGNED  
C. TIRAWAT  
19/03/2026

DRAWN  
C. TIRAWAT  
19/03/2026

CHECKED  
APPROVAL

|           |      |       |   |      |      |          |         |        |
|-----------|------|-------|---|------|------|----------|---------|--------|
| MATERIAL  | -    | QTY   | - | SET  | DATE | REVISION | CHECKED | R.N.O. |
| TOLERANCE | ±0.2 | MODEL | - | DATE | DATE | REVISION | CHECKED | R.N.O. |
| UP TO     |      | MODEL | - | DATE | DATE | REVISION | CHECKED | R.N.O. |
| OVER      |      | MODEL | - | DATE | DATE | REVISION | CHECKED | R.N.O. |
| PART NAME |      |       |   |      |      | AT-882UM |         |        |

THAIFAST ELECTRIC CORPORATION LIMITED  
 162 MOO 17 SOI KRITTA 2 TAMBON BANG PHU YAI  
 AMPHUR BANGPHU SAMUT PRAKAN 10540  
 TEL: 02-041-7413 , 02-041-7423 , 02-041-7433  
 Well-Mounted Automatic Urinal Flush Valve