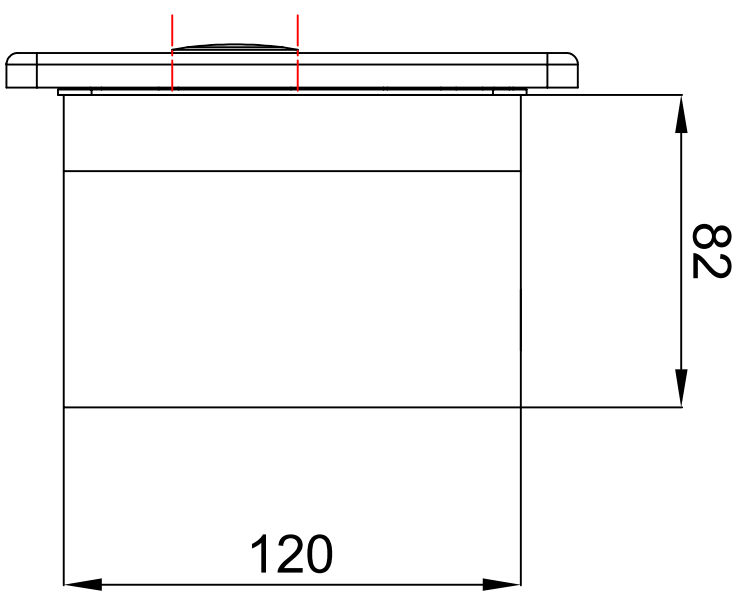
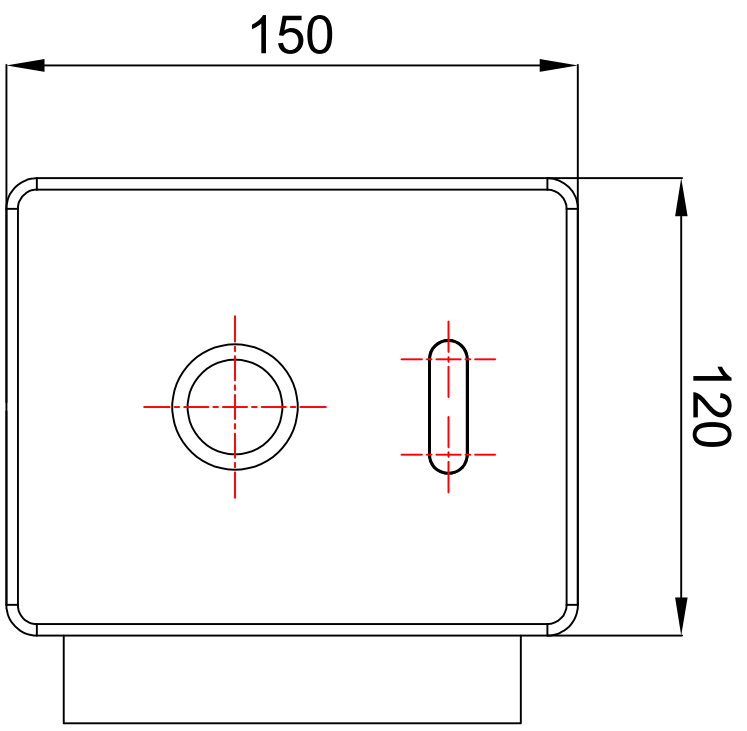


COPY TO	QTY



UNIT
mm

SCALE
1:1

DESIGNED
C. TIRAWAT
27/03/2026

DRAWN
C. TIRAWAT
27/03/2026

CHECKED

APPROVAL

MATERIAL	-	QTY	-	△B	DATE	REVISION	CHECKED	R.N.O.
TOLERANCE	±0.2	SET	△A	DATE	REVISION	CHECKED	R.N.O.	
UP TO		MODEL	-					
OVER								

THAIFAST ELECTRIC CORPORATION LIMITED
162 MOO 17 SOI KRITTA 2 TAMBON BANG PHU YAI
AMPHUR BANGPHU SAMUT PRAKAN 10540
TEL: 02-041-7413 , 02-041-7423 , 02-041-7433

PART NAME
Well Mounted Automatic Urinal Flush Valve
AT-317UMS