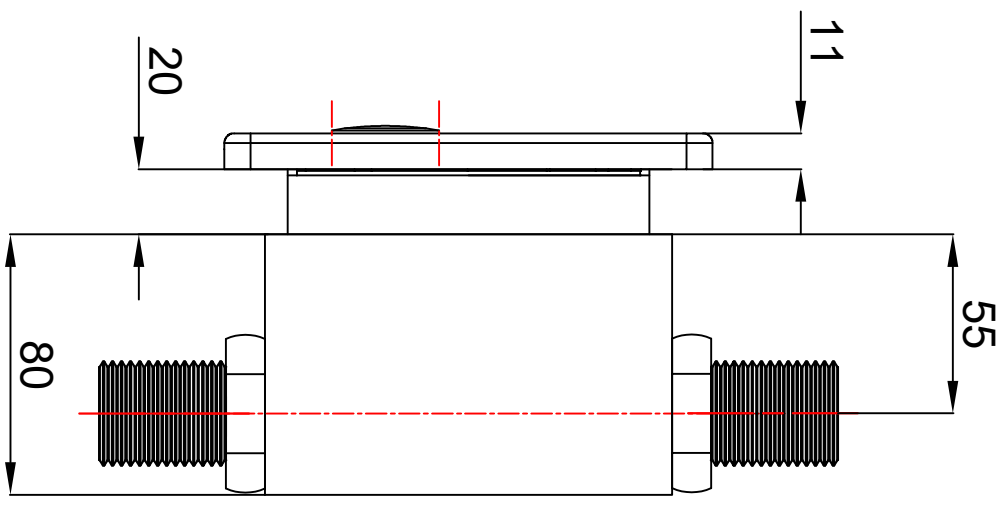
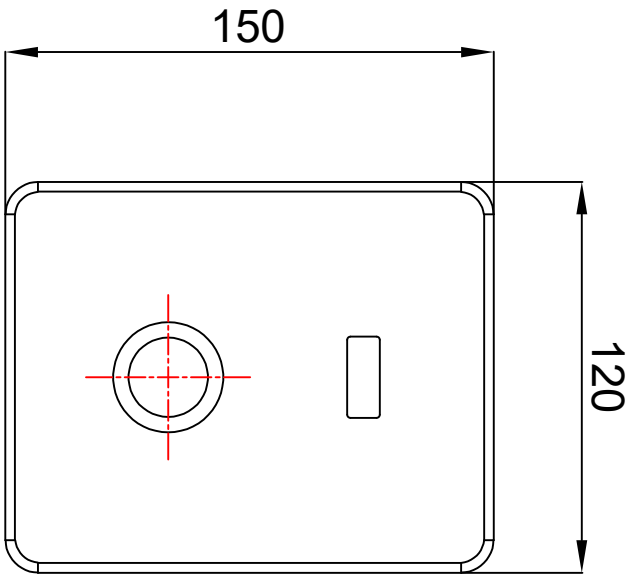


COPY TO	QTY



UNIT
mm

SCALE
1:1

DESIGNED
C. TIRAWAT
24/03/2026

DRAWN
C. TIRAWAT
24/03/2026

CHECKED

APPROVAL

MATERIAL	-	QTY	△	MODEL	-	DATE	REVISION	CHECKED	R.N.O.
TOLERANCE	±0.2	SET	△						
UP TO									
OVER									
PART NAME					AT-318WMS				

THAIFAST ELECTRIC CORPORATION LIMITED
162 MOO 17 SOI KRITTA 2 TAMBON BANG PHU YAI
AMPHUR BANGPHU SAMUT PRAKAN 10540
TEL: 02-041-7413 , 02-041-7423 , 02-041-7433

Wall - Mounted Automatic Toilet Flush Valve