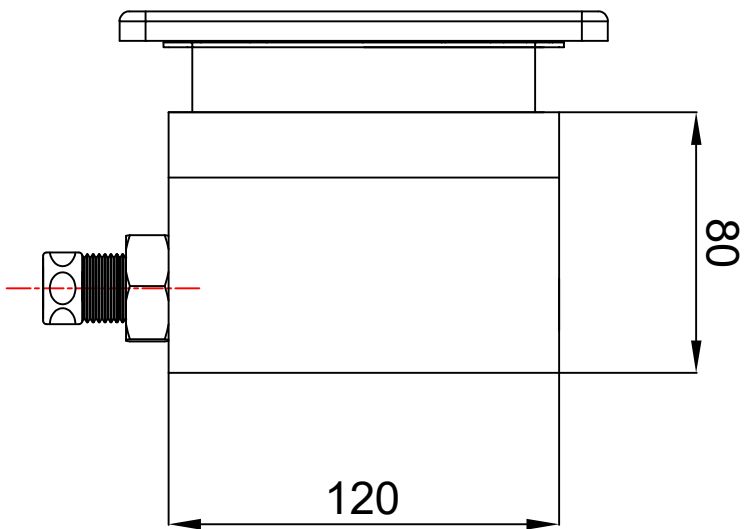
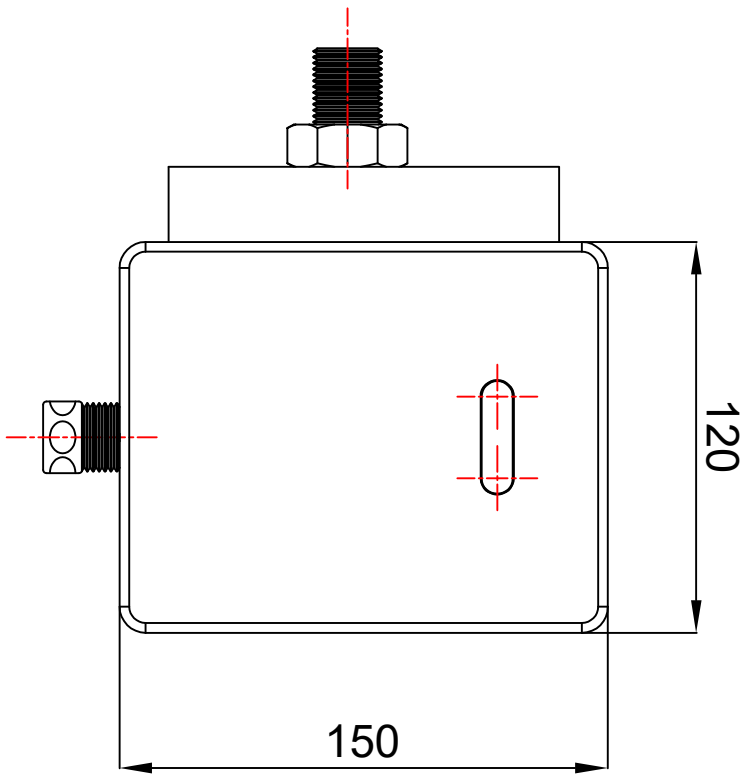


COPY TO	QTY



UNIT

mm

SCALE

1:1

DESIGNED

C. TIRAWAT
19/03/2026

DRAWN

C. TIRAWAT
19/03/2026

CHECKED

APPROVAL

MATERIAL		-		QTY		-		DATE		REVISION		CHECKED		R.N.O.	
TOLERANCE ± 0.2		MODEL		SET		DATE		PART CODE		PART NAME		AT-317U			
UP TO		OVER													

THAIFAST ELECTRIC CORPORATION LIMITED
 162 MOO 17 SOI KRITTA 2 TAMBON BANG PHU YAI
 AMPHUR BANGPHU SAMUT PRAKAN 10540
 TEL: 02-041-7413 , 02-041-7423 , 02-041-7433

Well-Mounted Automatic Urinal Flush Valve