

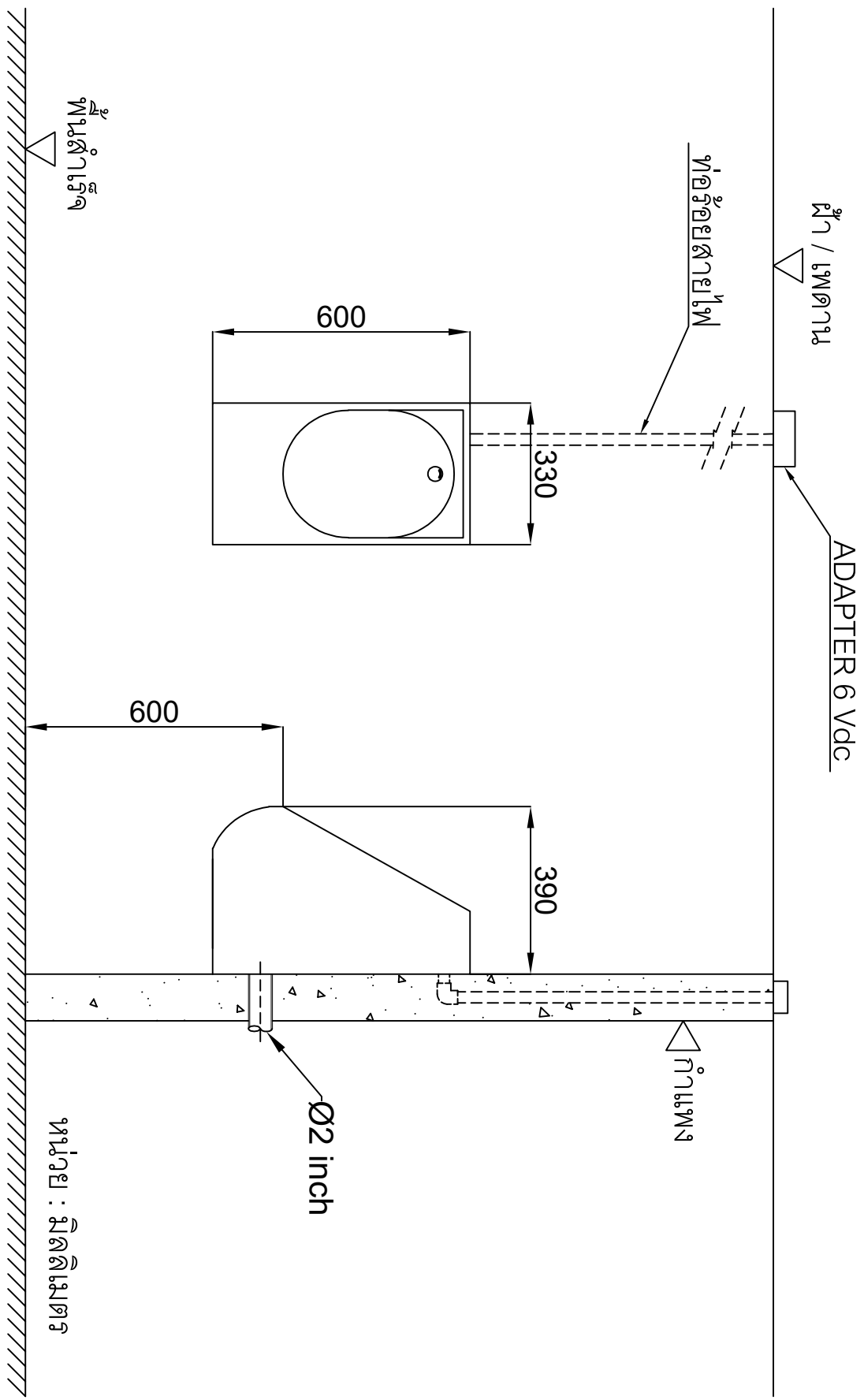
UNIT
mm
SCALE
1:1

DESIGNED
C. TIRAWAT
06/04/2026

DRAWN
C. TIRAWAT
06/04/2026

CHECKED

APPROVAL



MATERIAL	-	QTY	-	SET	DATE	REVISION	CHECKED	R.N.O.
TOLERANCE	±0.2	MODEL	-	DATE	DATE	REVISION	CHECKED	R.N.O.
UP TO		MODEL	-	DATE	DATE	REVISION	CHECKED	R.N.O.
OVER		MODEL	-	DATE	DATE	REVISION	CHECKED	R.N.O.

THAIFAST ELECTRIC CORPORATION LIMITED
 162 MOO 17 SOI KRITTA 2 TAMBON BANG PHU YAI
 AMPHUR BANGPHU SAMUT PRAKAN 10540
 TEL: 02-041-7413 , 02-041-7423 , 02-041-7433

PART NAME
Automatic Infrared Sensor Urinal